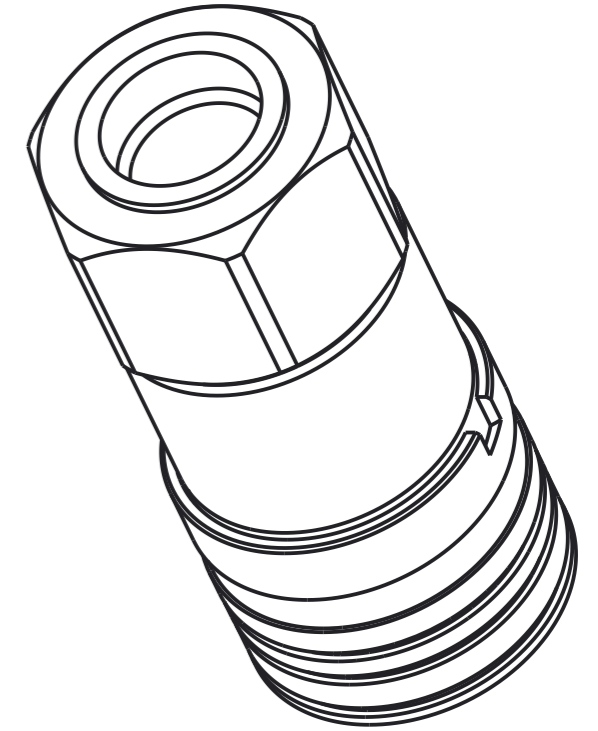
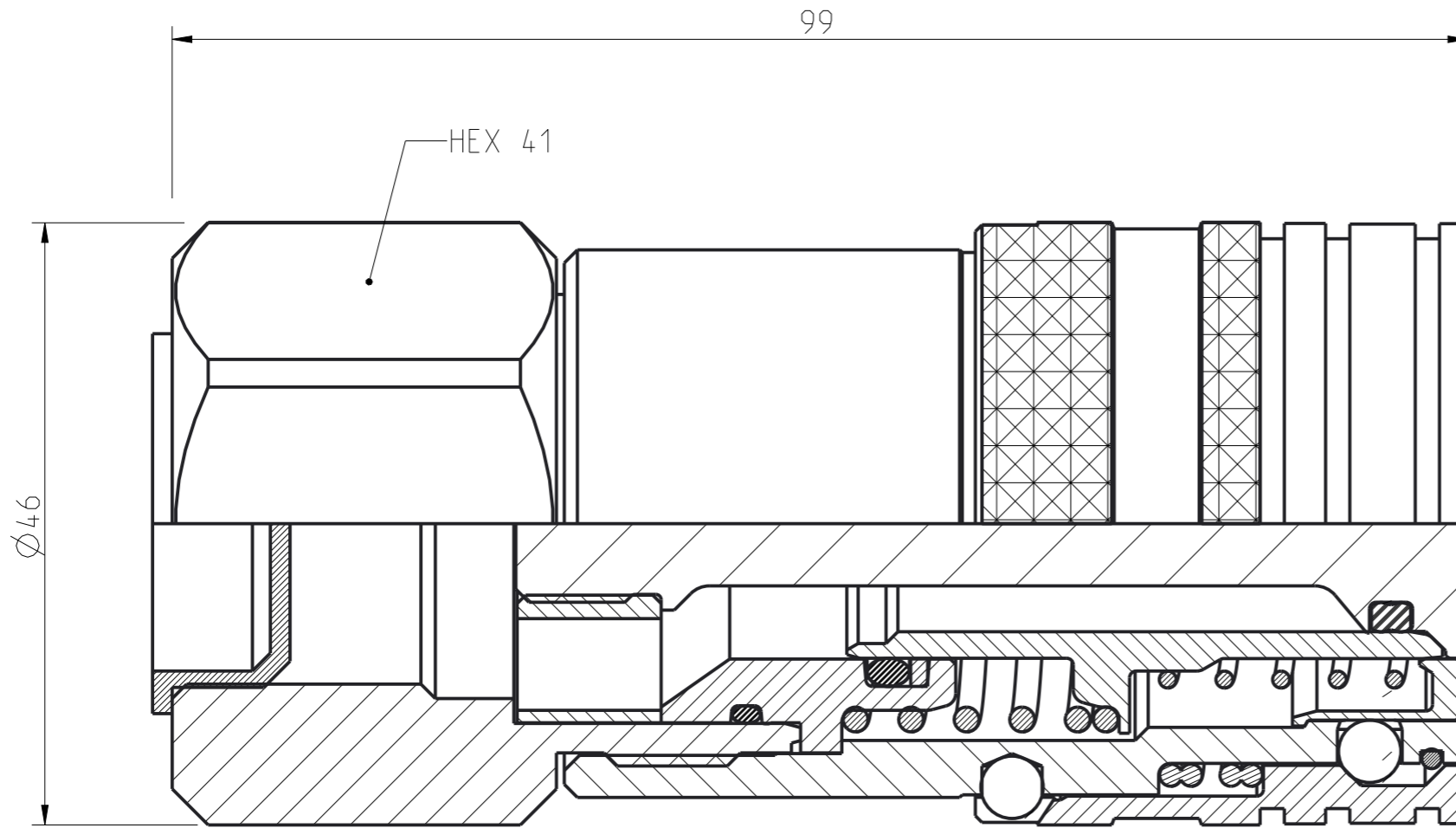
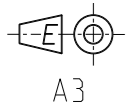


Alta rättigheter förbehålls.
All rights reserved.
Alle Rechte vorbehalten.

Diese Zeichnung darf weder ganz noch teilweise ohne unsere ausdrückliche Genehmigung kopiert oder auf andere Weise vervielfältigt werden.
werden. Zuwiderhandlungen werden gerichtlich verfolgt.

Denna handling får ej utan vårt medgivande delges annan, kopieras eller eljest obehörigen användas.
övertryckelse härvid beivras med stöd av gällande lag.
This document must not be copied, either completely or in part, without permission.
Any infringement will have legal consequences.



1:1

| 18 | 1 | Wire coil | Steel |
|-------------|--------------|-----------------------|-------------------|
| 17 | 1 | Valve stop | Steel, Fe/Zn 8 P1 |
| 16 | 1 | Valve sleeve | Steel, Ni 5 |
| 15 | 1 | Valve seat | Steel, Fe/Zn 8 P1 |
| 14 | 1 | Valve opener | Steel, Fe/Zn 5 P1 |
| 13 | 1 | Thread protection | Plastic |
| 12 | 1 | Spring | Steel |
| 11 | 1 | Spring | Steel |
| 10 | 1 | Spring | Steel |
| 9 | 1 | Ratchet sleeve | Steel, Fe/Zn 8 P1 |
| 8 | 1 | O-ring | NBR |
| 7 | 1 | O-ring | NBR |
| 6 | 1 | Locking sleeve | Steel, plated |
| 5 | 1 | Front part | Steel, Fe/Zn 8 P1 |
| 4 | 1 | Dualseal | PUR |
| 3 | 16 | Ball | Stainless steel |
| 2 | 1 | Backup ring | Plastic |
| 1 | 1 | Back part | Steel, Fe/Zn 8 P1 |
| Detalj Item | Antal Quant. | Benämning Description | Material Material |

Product no: 10_765_1201

Max working pressure: 400 bar connected
400 bar disconnected
Min burst pressure: 1200 bar connected
1200 bar disconnected
Sealing material: NBR
Temperatur range: -30°C - +100 °C
Nominal flow diameter, DN: 19 mm
Connection: G 3/4" Fem
Connection stroke: 21,5 mm

CEJN

| | | | | | | | | | | | | |
|------------------|-----|-------------|------|----------------|---|-------------|-------------------------|-----------------|-------------|-----------|------------|----|
| Skala Scale | 2:1 | Ritad Drawn | CEJN | Kontr. Checked | - | Godk. Appr. | - | Äm nr. Alt. no. | - | Dat. Date | 121024 | |
| Assembly drawing | | | | | | | Ritning nr./Drawing No. | | 50_765_1201 | | Utg./Issue | AA |